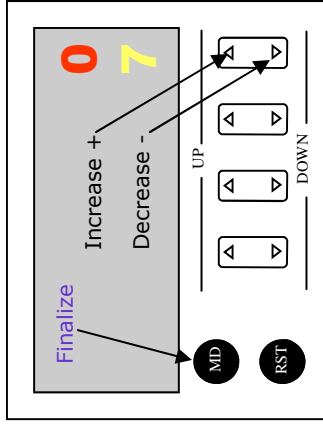


## Fluence Meter Programming

Your IPL850/950 comes with a convenient pulse counter to track total photon emissions in light units (for conversion to joules, see chart below). To reset to zero press the RST button on the lower left portion of the fluence meter.



This meter can be pre-set to any number of pulses simply by pressing the 'up' or 'down' buttons on the bottom row (see illustration to the left). The meter will automatically cut off emission at that pre-set number.

J/cm <sup>2</sup> /sec.	Pulse 3
80	4
100	5
160	6
180	7
220	8
300	10

This meter can also be used to keep track of total energy delivered and not act as a 'cutoff' mechanism simply by placing the bottom row on 9999. The top row will keep a total count of pulses and not

reset.

If you choose to deliver more than 7 pulses per second or 180J/cm<sup>2</sup>, there is a risk of burning the epidermis of the client so always use cooling and coupling gel.

The wavelengths listed below can be achieved with filtered IPL tips (see back page of the instruction booklet for ordering information) or with IPL filtering gel.

Treatment procedures such as tattoo removal do not require filtering so the standard IPL tip (410-1200nm) is adequate.

Modality	Wavelength	Pulse Frequency	Meter Setting	Total Joules
<b>Photo-Rejuvenation</b>	505-670nm	2-3	6	180 jcm <sup>2</sup> /sec.
<b>Hair Reduction</b>	570-980nm	3	8	220 jcm <sup>2</sup> /sec.
<b>Vein Reduction</b>	630-750nm	3	10	300 jcm <sup>2</sup> /sec.
<b>Scar Reduction</b>	505-670nm	3	10	300 jcm <sup>2</sup> /sec.
<b>Stretchmark Reduction</b>	505-670nm	3	10	300 jcm <sup>2</sup> /sec.
<b>Collagen Stimulation</b>	450-530nm	3	10	300 jcm <sup>2</sup> /sec.
<b>Nail Fungus Treatment</b>	410-1200nm	2-3	6	180 jcm <sup>2</sup> /sec.
<b>Hyper Pigment Reduction</b>	515-640nm	3	7	220 jcm <sup>2</sup> /sec.
<b>Psoriasis Treatment</b>	630-750nm	2-3	6	180 jcm <sup>2</sup> /sec.
<b>Skin Tag/Mole/Wart Removal</b>	410-1200nm	3	7	220 jcm <sup>2</sup> /sec.
<b>Tattoo Removal</b>	410-1200nm	2-3	6-9*	180-300 jcm <sup>2</sup> /sec.
<b>Wrinkle Reduction</b>	450-530nm	3	7	220 jcm <sup>2</sup> /sec.
<b>Rosacea</b>	630-750nm	2-3	6	180 jcm <sup>2</sup> /sec.
<b>Acne Treatment</b>	410-505nm	2-3	6	180 jcm <sup>2</sup> /sec.
<b>Skin Toning</b>	640-780nm	3	7	220 jcm <sup>2</sup> /sec.

\* Tattoo Removal, total energy deliver is dependant on ink color and type.